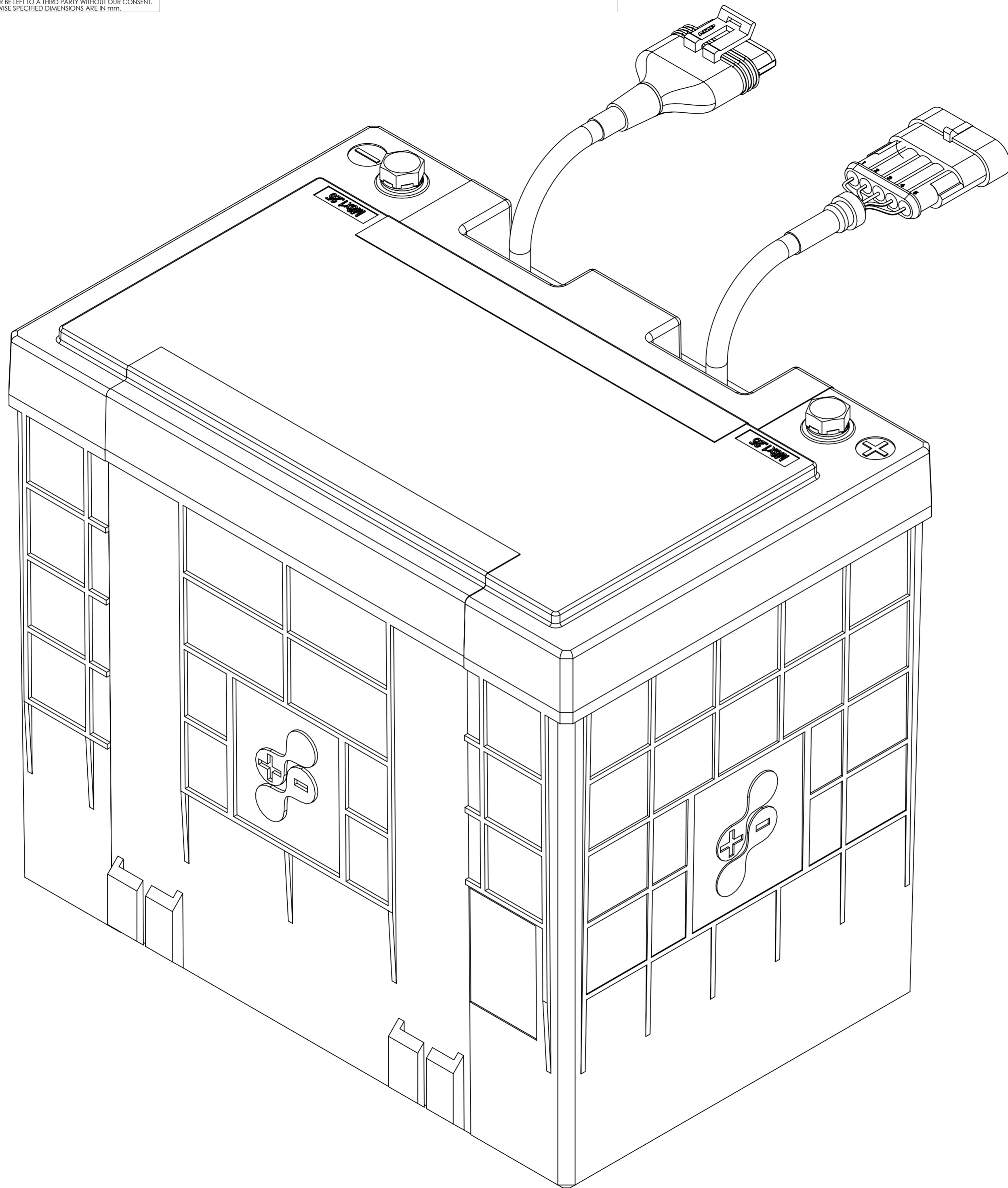

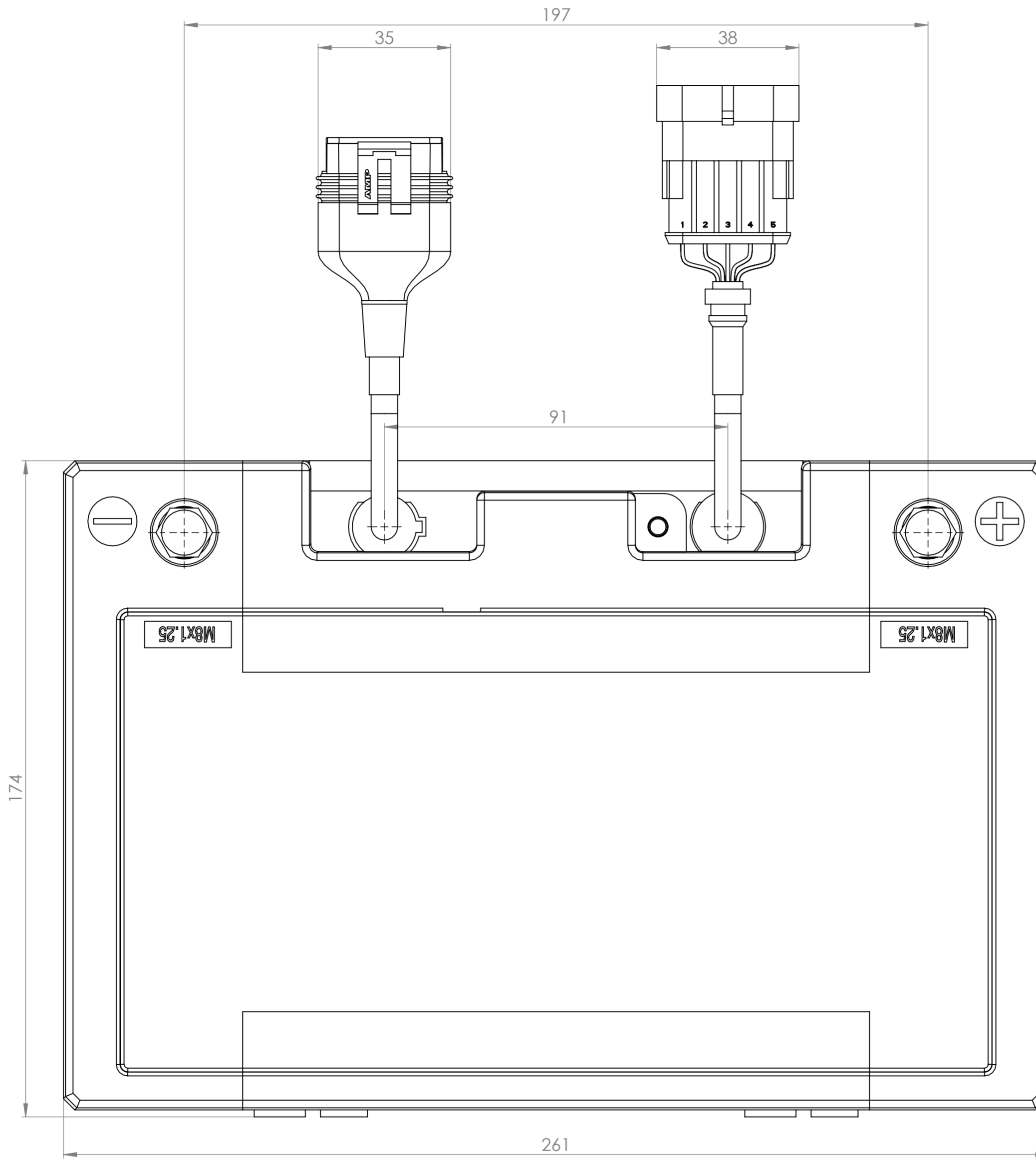



THIS DRAWING IS PROPERTY OF OCEANVOLT LTD. AND IT MAY NOT BE USED, COPIED NOR BE LEFT TO A THIRD PARTY WITHOUT OUR CONSENT.  
THIS IS A CAD GENERATED DRAWING, DO NOT UPDATE MANUALLY, UNLESS OTHERWISE SPECIFIED DIMENSIONS ARE IN mm.



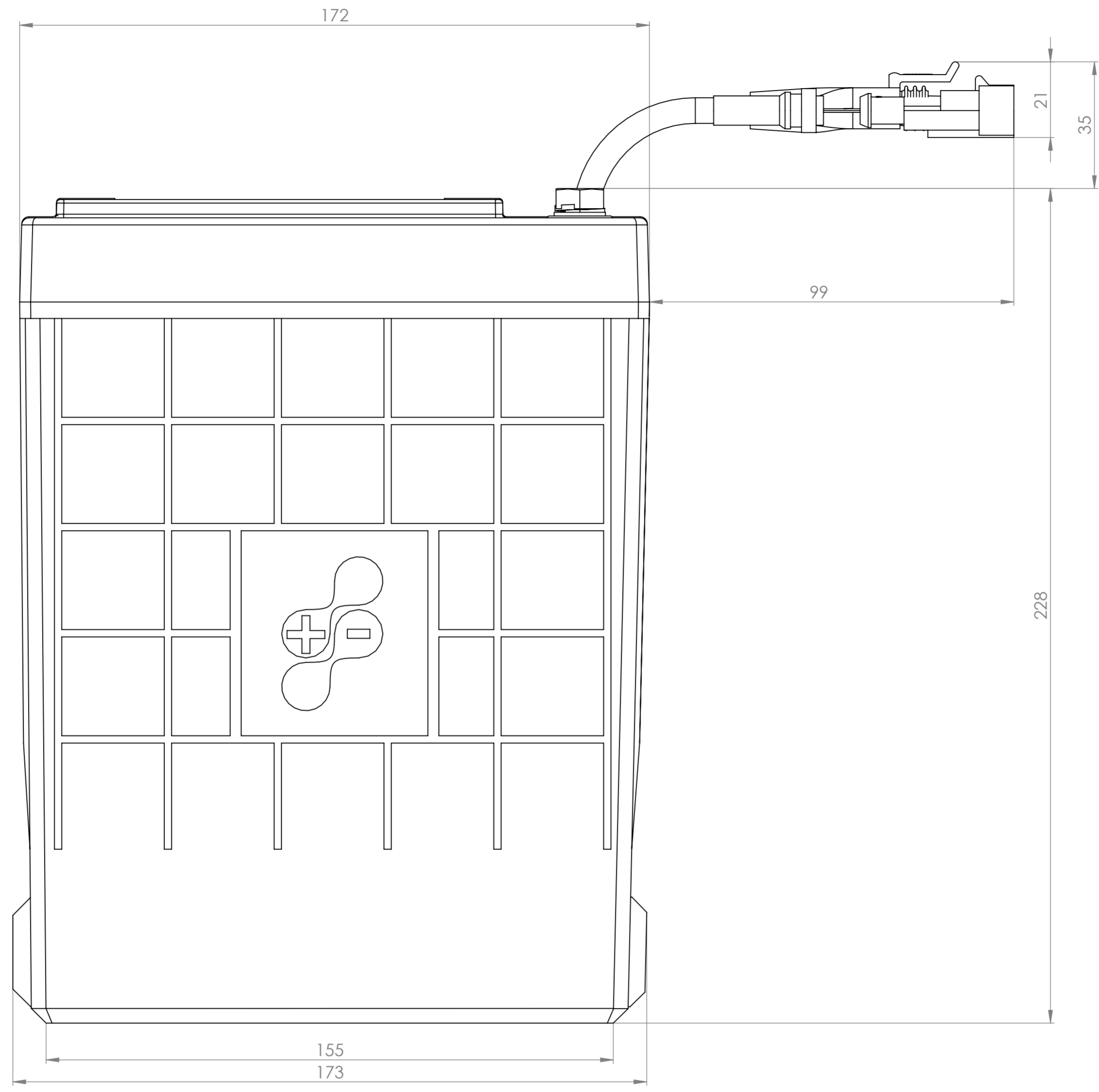
|   |           |          |                            |              |
|---|-----------|----------|----------------------------|--------------|
| <br><b>OCEANVOLT</b> | FINISH    |          | TOLERANCE:                 | WEIGHT (g)   |
|   | APPROVALS | DATE     | Battery                    |              |
|   | DRAWN     | 18/08/15 | Valence U24-12XP           |              |
|   | CHECKED   |          |                            |              |
|   | APPROVED  |          | SIZE DWG. NO.              |              |
|   |           |          | A3 - Battery               |              |
| DO NOT SCALE DRAWING  | SCALE     | 1:1      | CAD FILE: Valence_U24-12XP | SHEET 1 OF 6 |


THIS DRAWING IS PROPERTY OF OCEANVOLT LTD. AND IT MAY NOT BE USED, COPIED NOR BE LEFT TO A THIRD PARTY WITHOUT OUR CONSENT.  
THIS IS A CAD GENERATED DRAWING, DO NOT UPDATE MANUALLY, UNLESS OTHERWISE SPECIFIED DIMENSIONS ARE IN mm.



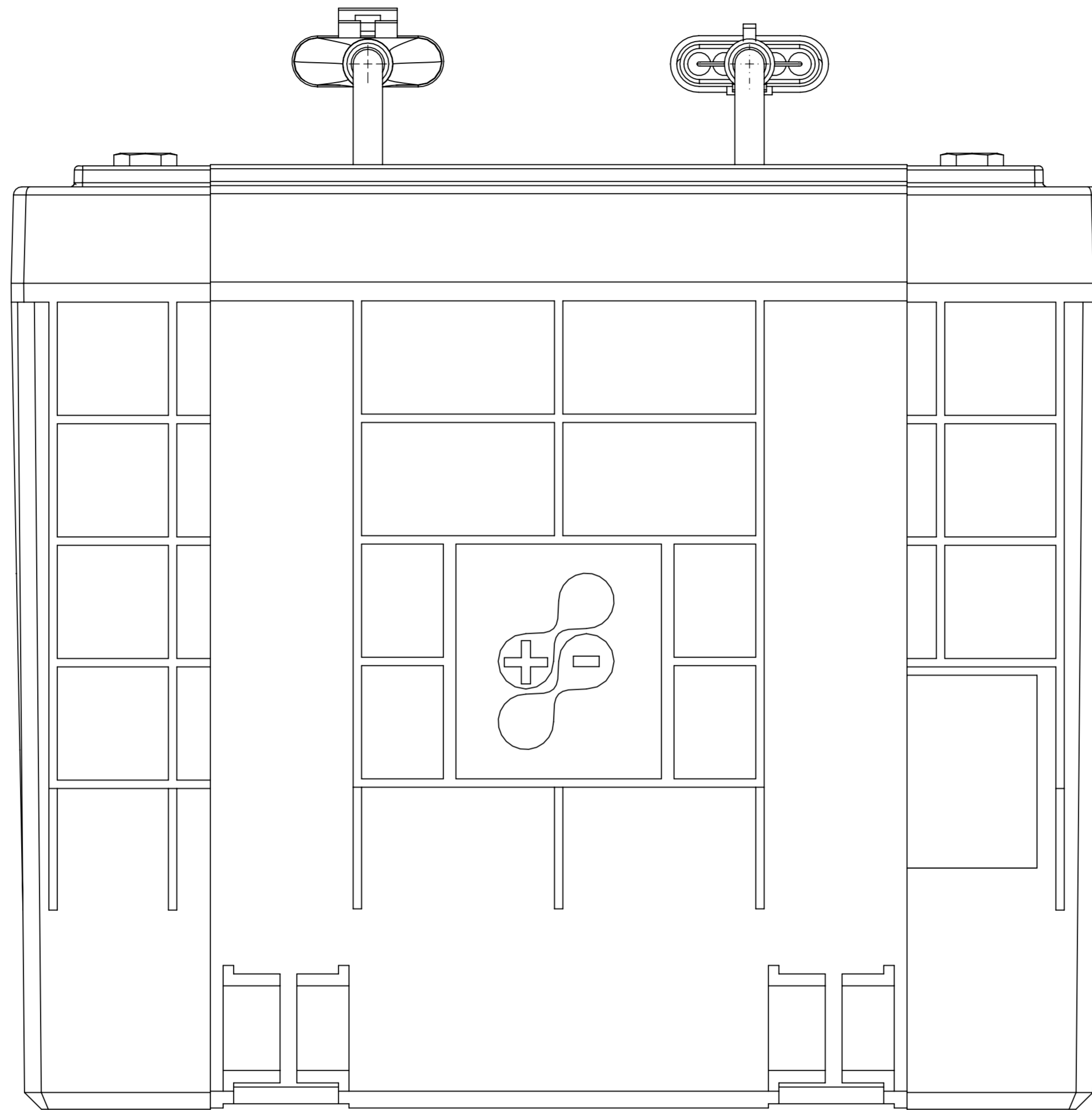
|   |           |          |                            |           |              |
|---|-----------|----------|----------------------------|-----------|--------------|
| <br><b>OCEANVOLT</b> | FINISH    |          | TOLERANCE:                 |           | WEIGHT (g)   |
|   | APPROVALS | DATE     | Battery                    |           |              |
|   | DRAWN     | 18/08/15 | Valence U24-12XP           |           |              |
|   | CHECKED   |          |                            |           |              |
|   | APPROVED  |          | SIZE                       | DWG. NO.  |              |
|   |           |          | A3                         | - Battery |              |
| DO NOT SCALE DRAWING  | SCALE     | 1:1      | CAD FILE: Valence_U24-12XP |           | SHEET 2 OF 6 |


THIS DRAWING IS PROPERTY OF OCEANVOLT LTD. AND IT MAY NOT BE USED, COPIED NOR BE LEFT TO A THIRD PARTY WITHOUT OUR CONSENT.  
THIS IS A CAD GENERATED DRAWING, DO NOT UPDATE MANUALLY, UNLESS OTHERWISE SPECIFIED DIMENSIONS ARE IN mm.



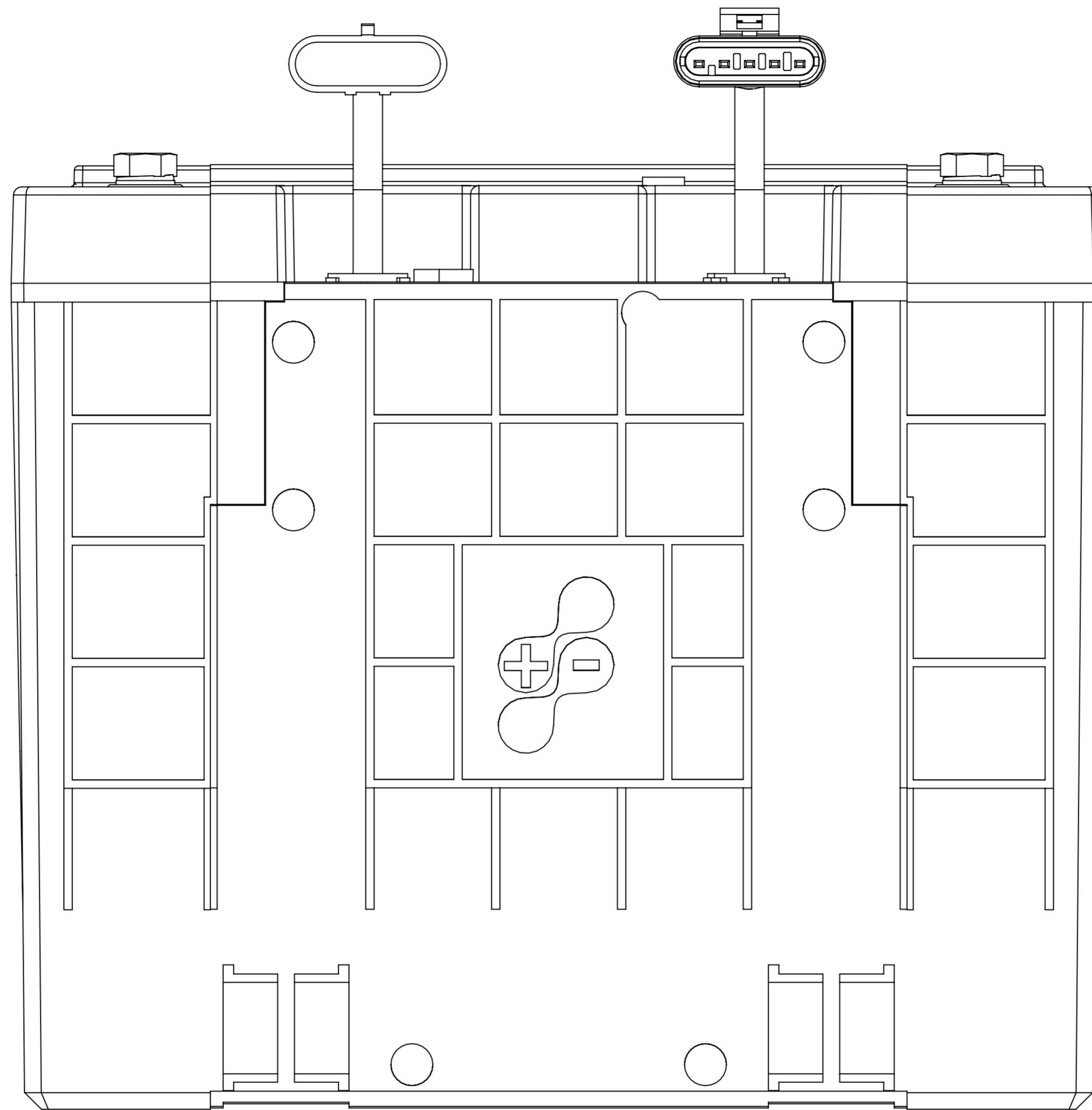
|   |           |          |                  |                  |              |
|---|-----------|----------|------------------|------------------|--------------|
|  | FINISH    |          | TOLERANCE:       |                  | WEIGHT (g)   |
|   | APPROVALS | DATE     | Battery          |                  |              |
|   | DRAWN     | 18/08/15 | Valence U24-12XP |                  |              |
|   | CHECKED   |          |                  |                  |              |
|   | APPROVED  |          | SIZE             | DWG. NO.         |              |
|   |           |          | A3               | - Battery        |              |
| DO NOT SCALE DRAWING  | SCALE     | 1:1      | CAD FILE:        | Valence_U24-12XP | SHEET 3 OF 6 |


THIS DRAWING IS PROPERTY OF OCEANVOLT LTD. AND IT MAY NOT BE USED, COPIED NOR BE LEFT TO A THIRD PARTY WITHOUT OUR CONSENT.  
THIS IS A CAD GENERATED DRAWING, DO NOT UPDATE MANUALLY, UNLESS OTHERWISE SPECIFIED DIMENSIONS ARE IN mm.



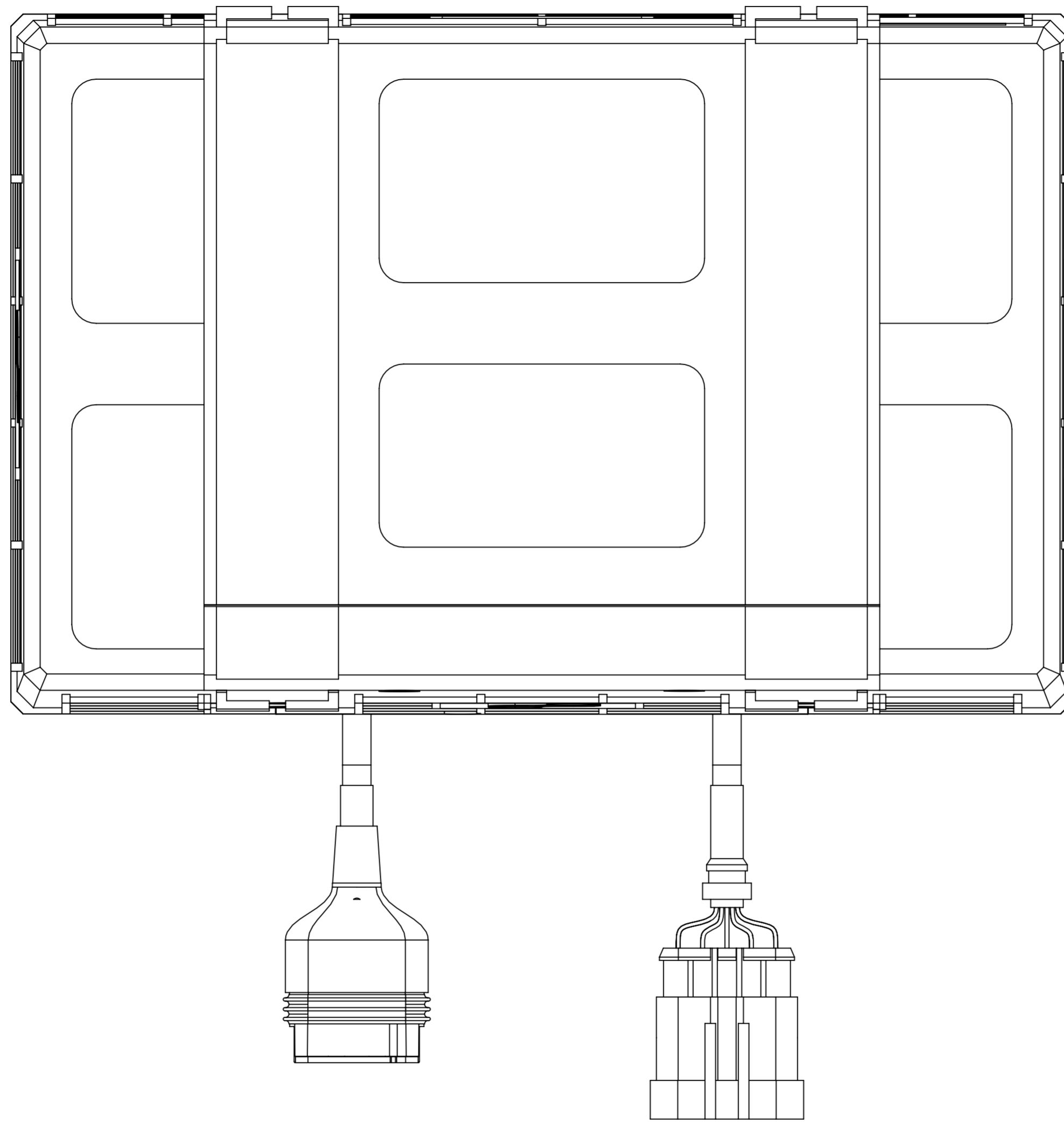
|   |           |          |                            |              |
|---|-----------|----------|----------------------------|--------------|
| <br><b>OCEANVOLT</b> | FINISH    |          | TOLERANCE:                 | WEIGHT (g)   |
|   | APPROVALS | DATE     | Battery                    |              |
|   | DRAWN     | 18/08/15 | Valence U24-12XP           |              |
|   | CHECKED   |          | SIZE                       | DWG. NO.     |
|   | APPROVED  |          | A3                         | - Battery    |
| DO NOT SCALE DRAWING  | SCALE     | 1:1      | CAD FILE: Valence_U24-12XP | SHEET 4 OF 6 |


THIS DRAWING IS PROPERTY OF OCEANVOLT LTD. AND IT MAY NOT BE USED, COPIED NOR BE LEFT TO A THIRD PARTY WITHOUT OUR CONSENT.  
THIS IS A CAD GENERATED DRAWING, DO NOT UPDATE MANUALLY, UNLESS OTHERWISE SPECIFIED DIMENSIONS ARE IN mm.



|   |           |          |                  |                  |              |
|---|-----------|----------|------------------|------------------|--------------|
| <br><b>OCEANVOLT</b> | FINISH    |          | TOLERANCE:       |                  | WEIGHT (g)   |
|   | APPROVALS | DATE     | Battery          |                  |              |
|   | DRAWN     | 18/08/15 | Valence U24-12XP |                  |              |
|   | CHECKED   |          |                  |                  |              |
|   | APPROVED  |          | SIZE             | DWG. NO.         |              |
|   |           |          | A3               | - Battery        |              |
| DO NOT SCALE DRAWING  | SCALE     | 1:1      | CAD FILE:        | Valence_U24-12XP | SHEET 5 OF 6 |

THIS DRAWING IS PROPERTY OF OCEANVOLT LTD. AND IT MAY NOT BE USED, COPIED NOR BE LEFT TO A THIRD PARTY WITHOUT OUR CONSENT.  
THIS IS A CAD GENERATED DRAWING, DO NOT UPDATE MANUALLY, UNLESS OTHERWISE SPECIFIED DIMENSIONS ARE IN mm.



|   |           |          |                            |            |
|---|-----------|----------|----------------------------|------------|
| <br><b>OCEANVOLT</b> | FINISH    |          | TOLERANCE:                 | WEIGHT (g) |
|   | APPROVALS | DATE     | Battery                    |            |
|   | DRAWN     | 18/08/15 | Valence U24-12XP           |            |
|   | CHECKED   |          |                            |            |
|   | APPROVED  |          | SIZE                       | DWG. NO.   |
|   |           |          | A3                         | - Battery  |
| DO NOT SCALE DRAWING  | SCALE     | 1:1      | CAD FILE: Valence_U24-12XP |            |
|   |           |          | SHEET 6 OF 6               |            |