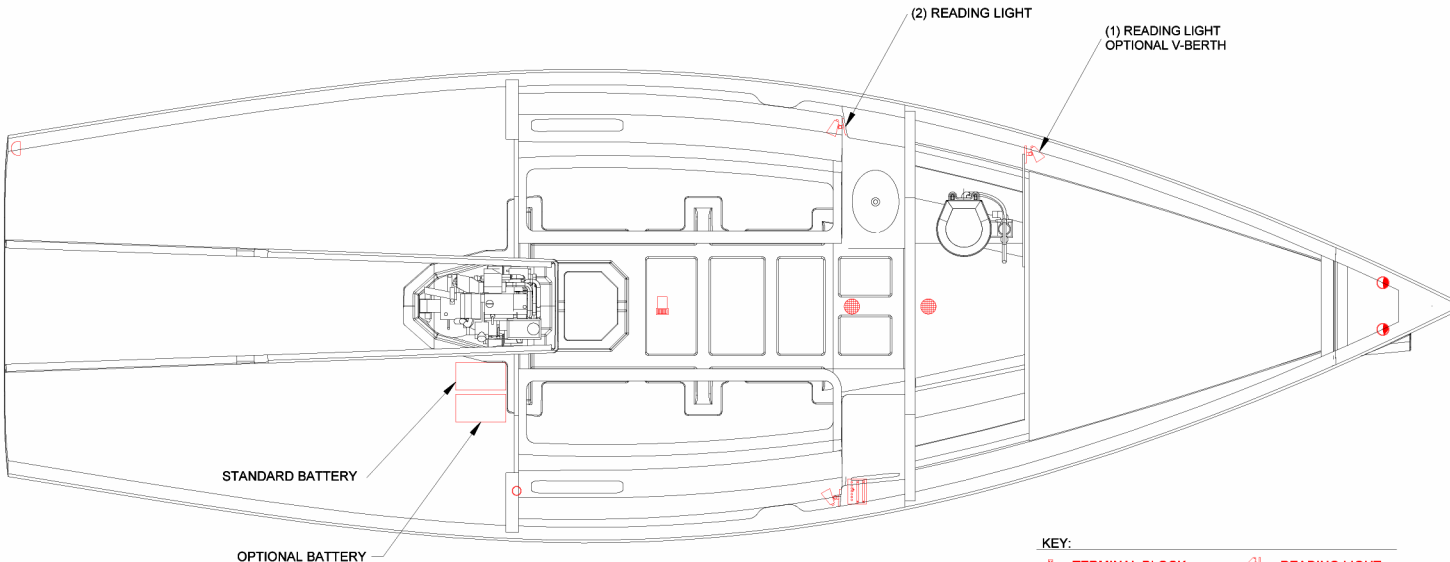






12V DC Component Layout– from J/88 Owner Manual, JBoats ©2013, page 31



KEY:

	TERMINAL BLOCK		READING LIGHT
	DC MAIN PANEL		NAV. LIGHT AFT
	BILGE PUMP		NAV. LIGHT FWD
	DOME LIGHT		BATTERY SWITCH